

PROTECT SCREEN

Protect Screen is a flexible, lightweight and easy to install screen, providing a universal solution to your workplace safety. Protect Screen is made with a durable easy to clean polypropylene material which is also recyclable when it comes to the end of its use; making Protect the perfect temporary solution. Our designers have challenged themselves to create a cost effective and incredibly versatile product that responds to the new need for workplace safety.





FEATURES

- Fully recyclable frosted polypropylene
- Adjustable, can be fitted to all sizes of existing work surfaces
- Quick and easy to assemble and install
- Screens can easily be removed to clean and sanitize
- Profiled to accommodate cable management
- Stock item



Protect Screen shown
on Block Steel Table

STEPS TO SPECIFY

Follow our guide and customise our products to suit your space

1 2

Finish: Available in White only.

Screen Bracket Finish

RAL metal frame finish

White
WH/9016

Screen Finish

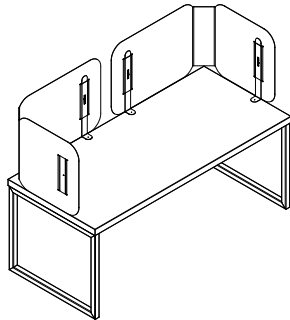
Polypropylene finish

White
WH

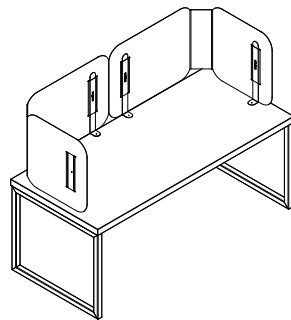
1 2

Select Configuration:

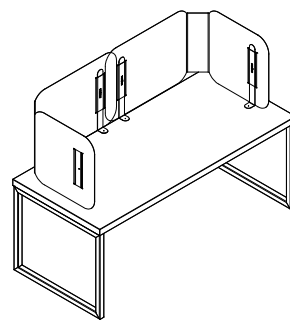
The Protect Screen can be fitted to any desks between 1400-1800 mm wide.



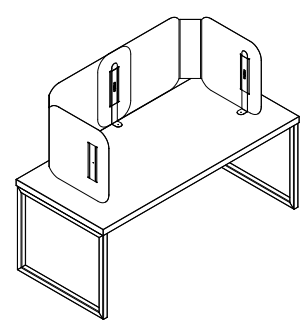
1800 mm desk with a gap
for monitor arm



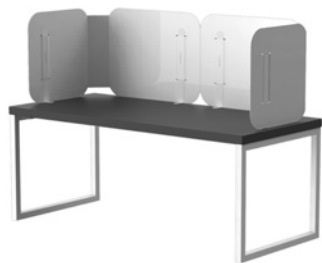
1800 mm desk with no gap



1600 mm desk with no gap



1400 mm desk with no gap



Protect Screen - shown on Block Steel
width 1400-1800, depth 650, height 570 mm

DESCRIPTION

ORDER CODE

Pair of Screens PRO.WH.146.WH

Supplied with 4 screen brackets and fixing pads



AFTERCARE

Periodic cleaning using proper procedures and compatible cleaners is recommended to prolong the service life. For general cleaning, it is recommended that the following instructions and cleaning agents be used.

SCREEN CLEANING OPTIONS:

- Lift screen off metal brackets and lay flat.
- Rinse screen with lukewarm water.
- Wash screen with a mild soap and lukewarm water.
- Use a soft cloth or sponge and gently wash with an up and down motion in the same direction.
- Rinse the cloth or sponge and change the water often.
DO NOT SCRUB or use brushes, squeegees or abrasive cleaners.
- Repeat rinse and dry with a soft cloth to prevent water spotting.

ADHESIVE PAD REMOVAL:

- **Use adhesive remover** - please be aware they are oil based and not suitable on absorbent or untreated surfaces.